

New patented Technology-High Performance-Low Maintenance



The new **TFP-ELIMINATOR (TFP)** is versatile and will provide constant high collection efficiency with very low maintenance. It is your best choice for collecting mist from screw machines, machining, milling, boring, and parts washing operations.



Prefilter



**Turbulent Flow
Precipitator**



Optional Post Filter
95% ASHRAE , 95% D.O.P., 99.97% HEPA

Available in sizes from 500 cfm to 10,000 cfm
To find out more about this amazing new technology, visit the web site.

Nutech Industrial

ph: 519-457-1904

fax: 519-457-1676

e-mail: sales@tfp-eliminator.com

web site: www.tfp-eliminator.com



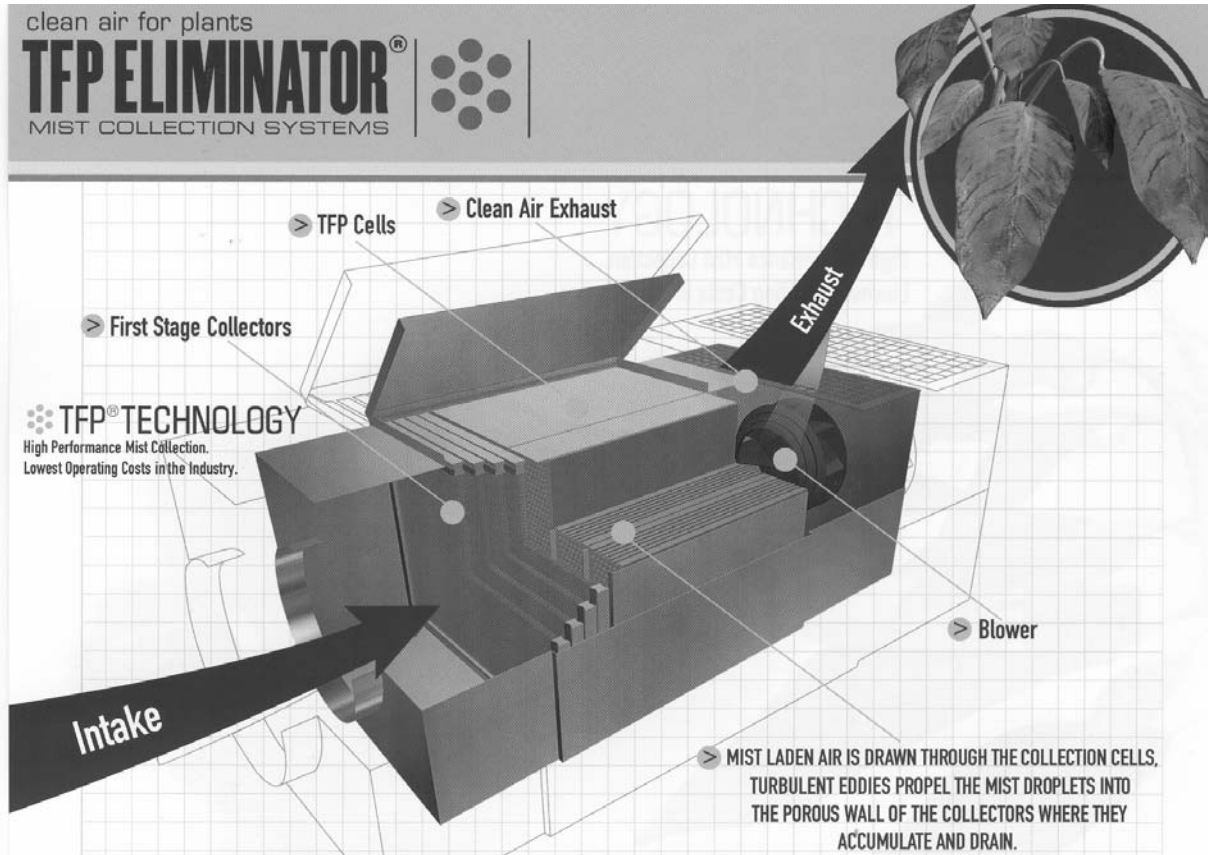
Proud Member
of the
Precision Machined
Products Association



clean air for plants

TFP ELIMINATOR[®]

MIST COLLECTION SYSTEMS



	ME500XF	ME800XF	ME1400XF	ME2000XF	ME2500XF	ME4000XF	ME6000XF
MAX FLOW	500 CFM	800 CFM	1400 CFM	2000 CFM	2500 CFM	4000 CFM	6000 CFM
LENGTH	61.5"	65.5"	65.5"	76.4"	76.4"	91.6"	95.5"
HEIGHT	24"	24.4"	24.4"	25"	25"	28.3"	28.3"
WIDTH	15.5"	24.5"	24.5"	28.3"	28.3"	50"	71.3"
INLET DIA	7"	9"	10"	14"	14"	18"	24"
MOTOR	3/4 HP	1.5 HP	3 HP	3 HP	5 HP	10 HP	15 HP
SOUND	69 DB	71 DB	72 DB	72 DB	74 DB	--	--
WEIGHT	190 LB	210 LB	220 LB	280 LB	310 LB	950 LB	1500 LB
TFP CELL	1	1	1	2	2	2	3
PRE-FILTER	2	2	2	2	2	4	6

- Optional 3rd stage filters are available
- Sound can be reduced approximately 10 DB with available exhaust silencers
- Motor voltage and frequency available to match your requirement
- Applications engineering available – ask your dealer
- Available in sizes from 500 cfm to 10,000 cfm
- To find out more about this amazing new technology, visit manufacturer's web site at: www.tfp-eliminator.com

Nutech Industrial

ph: 519-457-1904

fax: 519-457-1676

e-mail: sales@tfp-eliminator.com

web site: www.tfp-eliminator.com