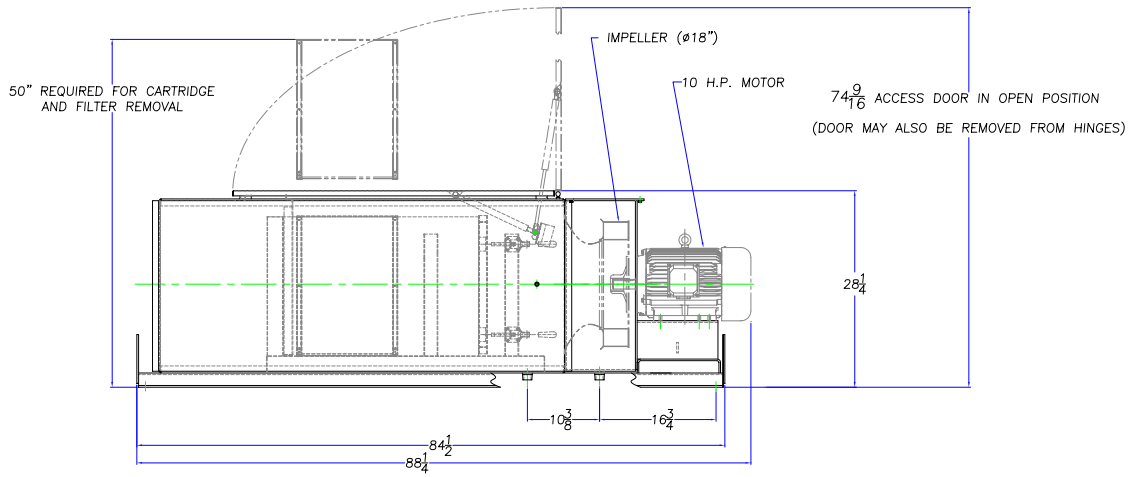
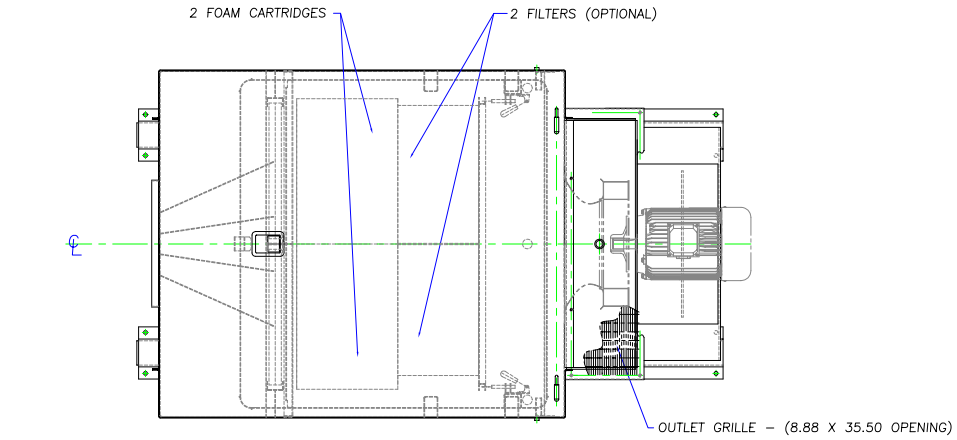
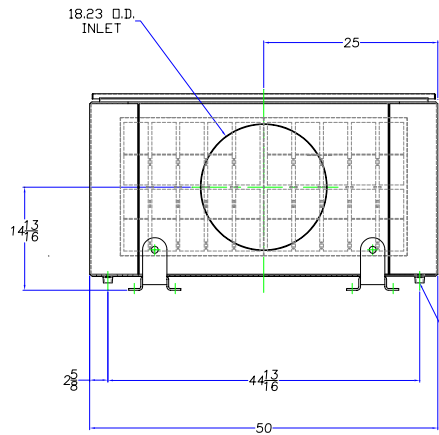


MOUNTING HOLE LOCATIONS
(1/16 SCALE)



1" NPT DRAIN PIPE - 3 PLACES

REVISIONS				TOLERANCES			
REV.	CHANGES	REV. BY	DATE	APPS	UNLESS OTHERWISE SPECIFIED	DATE	331 McCormick Blvd. London, Ontario Canada
1	UPDATED DRAWING TO LATEST VERSION	JCB	14SEP01	CS	FINISHES: AS SHOWN DIMENSIONS: AS SHOWN UNLESS OTHERWISE SPECIFIED	REV	NSW 4CB
2	ADD RAIL DIM 84"	WK	15NOV07	CS			
				GENERAL LAYOUT MODEL ME4000XF			
				<small>THIS DRAWING IS THE PROPERTY OF DESIGN ENGINEERING SYSTEMS COMPANY AND IS NOT TO BE REPRODUCED OR USED FOR ANY OTHER PURPOSE WITHOUT THE WRITTEN PERMISSION OF OUR PATENTERS. IT IS STRICTLY CONFIDENTIAL.</small>			
				<small>DRAWN BY: JCB CHECKED BY: [blank] DESIGNED BY: [blank] DATE: [blank]</small>			
				<small>SCALE: [blank] SHEET NO: [blank] OF [blank]</small>			
				<small>10192</small>			