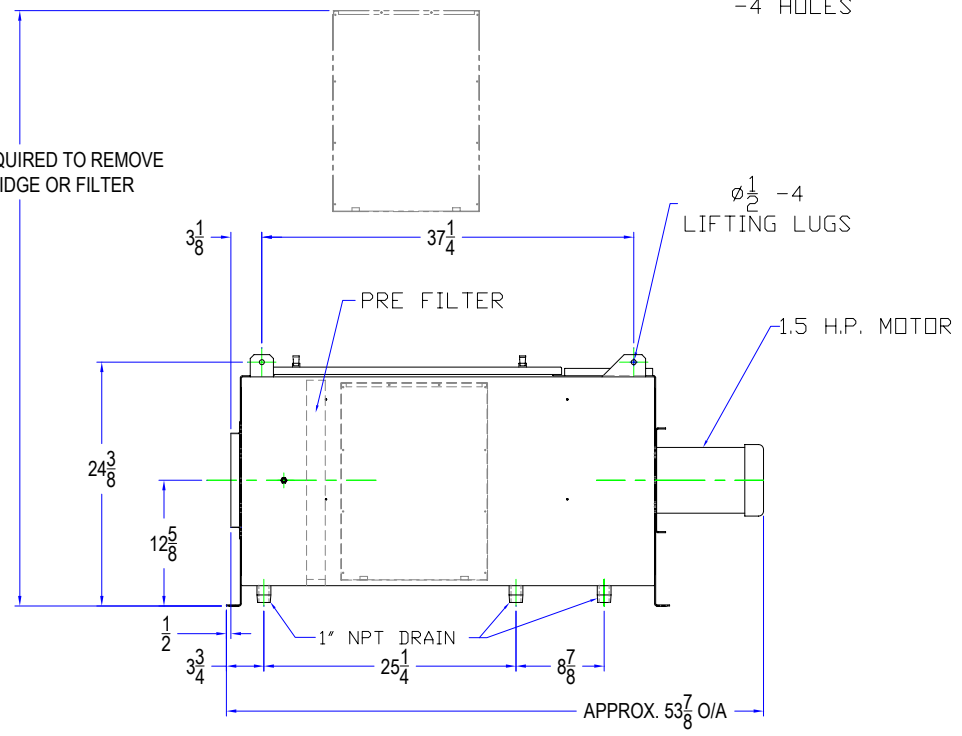
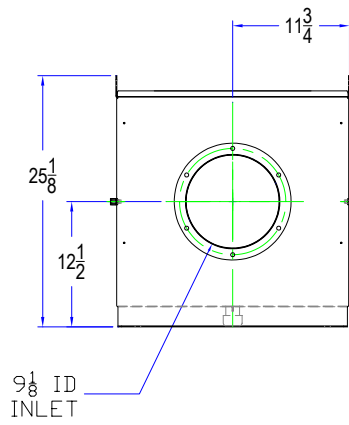


MIN. 45.65" REQUIRED TO REMOVE
TFP CARTRIDGE OR FILTER



APPROX. WT. = 190#

REVISIONS				
REV.	CHANGES	REV. BY	DATE	APP'D
1				
2				
3				
4				
5				

TOLERANCES
 UNLESS OTHERWISE SPECIFIED
 DIMENSIONS ARE IN INCHES
 * FRACTIONS: + .02
 * DECIMAL: .XX ± .02
 * .XXX ± .01
 * ANGLES: ± .1



511 McCormick Blvd.
 London, Ontario, Canada, N5W 4C8
 TITLE
SHOP DRAWING
MODEL ME 800XC
 DRAWN BY: VJK
 DATE: 25/JAN/04
 SCALE: 1/8"
 CHECKED: APPS
 DATE: []
 INTERFERE: N/A
 DO NOT SCALE DRAWING
 NEXT ASSY: 11093

THIS PRINT IS THE PROPERTY OF
 NUTECH ENERGY SYSTEMS. COPYING
 TRANSMITTAL TO OTHERS, OR USE
 IN ANY WAY THAT IS DETRIMENTAL
 TO OUR INTERESTS IS STRICTLY
 PROHIBITED.