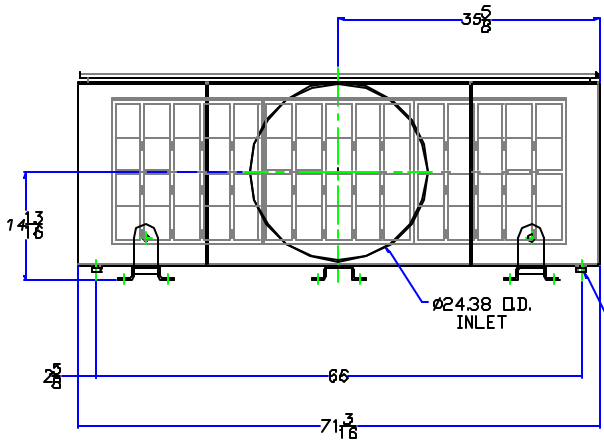
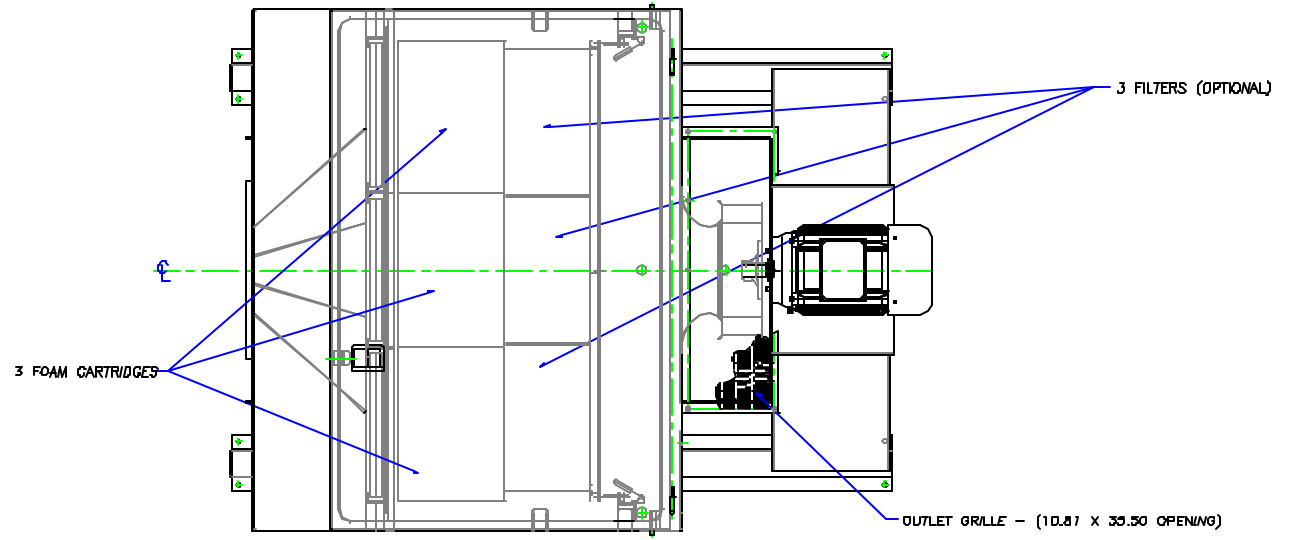
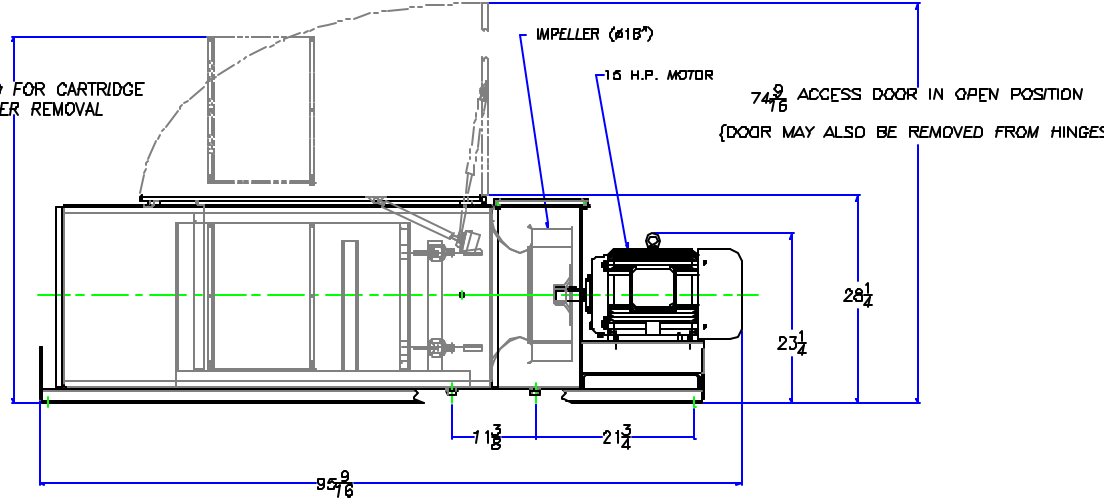


MOUNTING HOLE LOCATIONS
(1/16 SCALE)



50" REQUIRED FOR CARTRIDGE AND FILTER REMOVAL



1" NPT DRAIN PIPE - 3 PLACES

REVISIONS				TOLERANCES		GENERAL LAYOUT	
NO.	DESCRIPTION	DATE	BY	APPR.	UNIT	SCALE	DATE
1	ISSUED FOR FABRICATION						
2							
3							
4							
5							

ALL DIMENSIONS UNLESS OTHERWISE SPECIFIED ARE IN INCHES AND DECIMALS THEREOF.	GENERAL LAYOUT	MODEL M3000XP	1022
---	----------------	---------------	------