

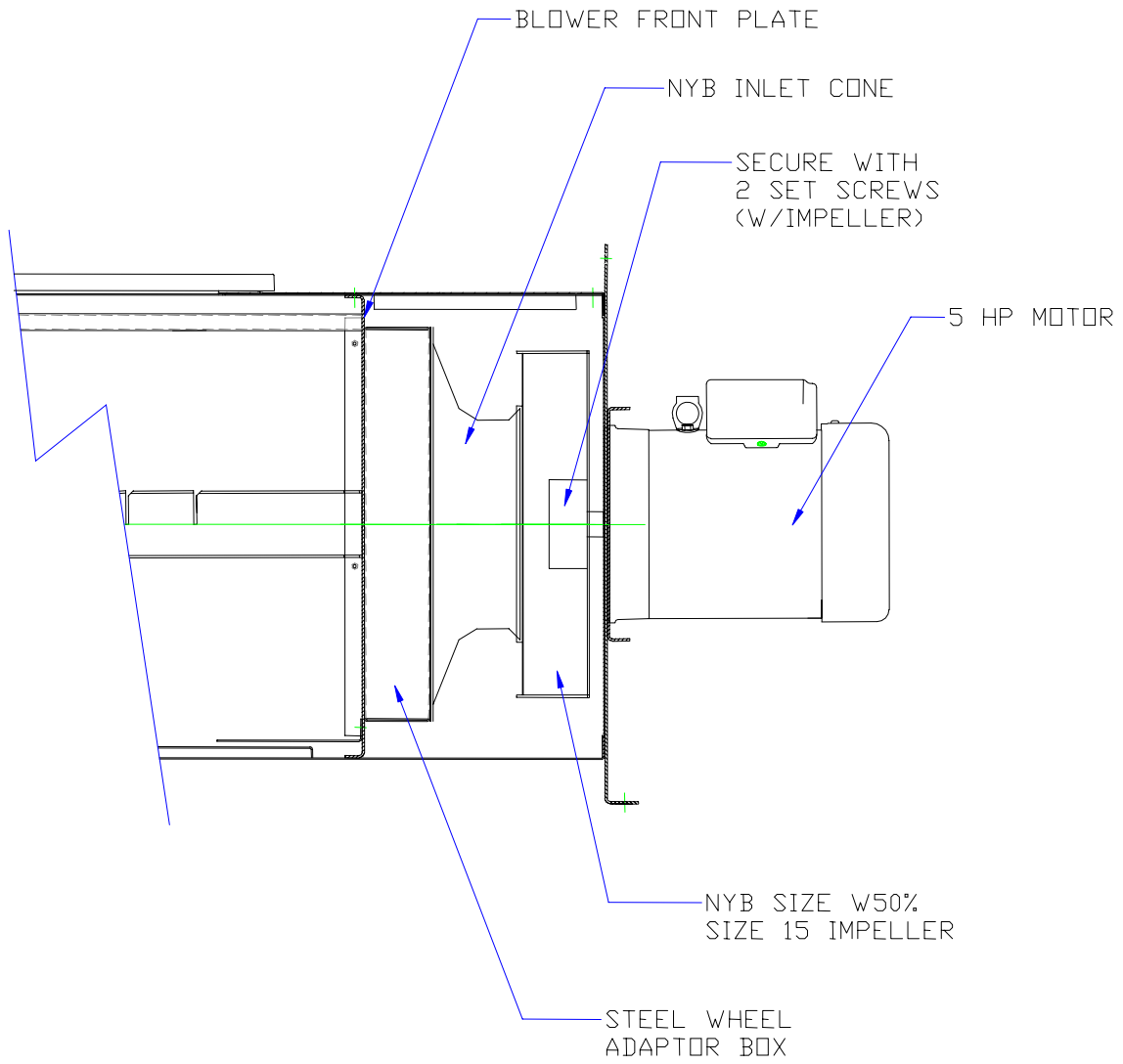
Installation of Steel Wheel in place of Plastic TEK355

Parts List

1	Adaptor Box
1	NYB PLR15 Width 50% Steel Impeller
1	NYB Inlet Cone for Impeller (steel)
16	Bolts
16	L/Washer
16	F/Washer

Installation Instructions

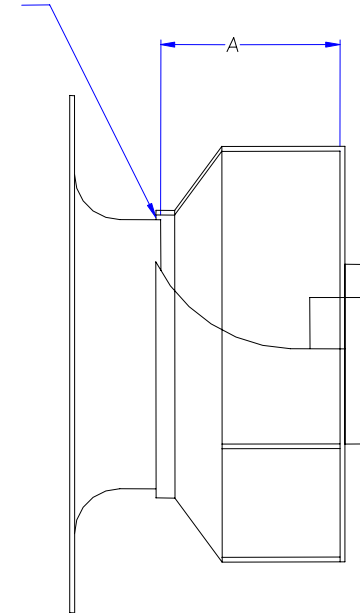
- 1) Remove blower grill.
- 2) Remove broken blower and inlet cone.
- 3) Strip back foam lining so that the blower adaptor box can be located in unit.
- 4) Scrape off old caulking and adhesive so that adaptor box can sit flat with existing blower front plate.
- 5) Install steel impeller on shaft but do not tighten set screws.
- 6) Attach blower box to blower front plate loosely.
- 7) Adjust impeller for proper overlap with inlet cone (see DWG 10599).
- 8) Tighten 2 set screws on impeller.
- 9) Adjust blower box so that there is uniform clearance about the impeller and inlet cone. Verify that the impeller does not rub against the inlet cone by sliding a piece of paper about the gap.
- 10) Tighten the bolts attaching the adaptor box.
- 11) Check that the inlet cone does not interfere with the impeller.
- 12) Reattach foam lining with water resistant adhesive/sealant.
- 13) Seal blower front plate interface with blower front plate and adaptor box with supplied adhesive/sealant.
- 14) Install Blower Grill



DISTANCE FROM WHEEL BACK PLATE TO INSIDE EDGE
OF INLET CONE (A)

UNIT	WHEEL	A (IN.)
ME2500XF	NYB PLR15 (50%)	2.88 (2 $\frac{7}{8}$)

UNIFORM
CLEARNACE



REVISIONS

REV.	CHANGES	REV. BY	DATE	APP'D
*				
*				
*				
*				
*				

TOLERANCES

UNLESS OTHERWISE SPECIFIED
DIMENSIONS ARE IN INCHES
• FRACTIONAL ± .0625
• DECIMAL .XX ± .025
.XXX ± .005
• ANGLES ± .1

THIS PRINT IS THE PROPERTY OF
NUTECH ENERGY SYSTEMS. COPYING
TRANSMITTAL TO OTHERS, OR USE
IN ANY WAY THAT IS DETRIMENTAL
TO OUR INTERESTS IS STRICTLY
PROHIBITED.



511 McCormick Blvd.
London, Ontario Canada N5W 4C8

TITLE
NYB PLR 15 (50% WIDTH) OVERLAP

DRAWN BY WK	DATE 7JA05	SCALE	DO NOT SCALE DRAWING	MATERIAL
CHECKED	DATE	APP'D		DRAWING NO. 11196
NEXT ASSY				