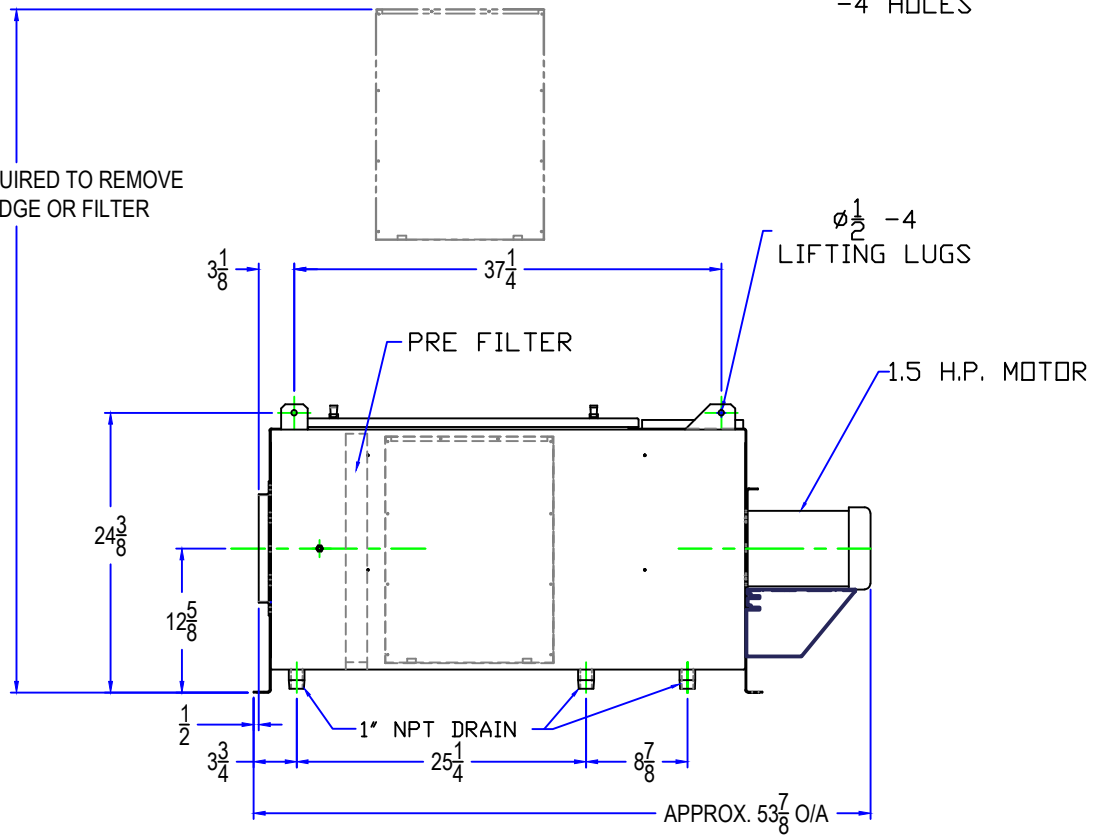
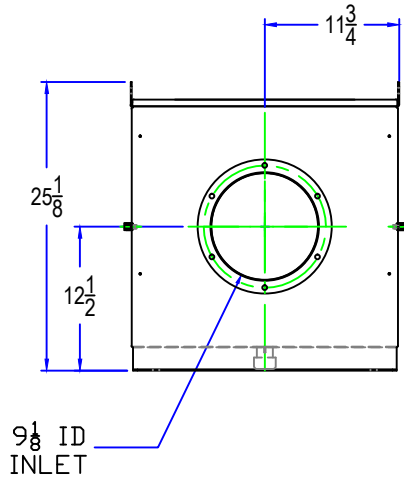


MIN. 45.65" REQUIRED TO REMOVE
TFP CARTRIDGE OR FILTER



APPROX. WT. = 194#

REVISIONS				
REV.	CHANGES	REV. BY	DATE	APP'D
Δ	ADD MOTOR MOUNT	VK	2.JAN12	
✱				
✱				
✱				
✱				

TOLERANCES
UNLESS OTHERWISE SPECIFIED
DIMENSIONS ARE IN INCHES
FRACTIONAL: ±.01
DECIMAL: .XX ±.15
ANGLES: ±.001
ANGLES: # 1

THIS PRINT IS THE PROPERTY OF
AIRIA. COPYING
TRANSMITTAL TO OTHERS, OR USE
IN ANY WAY THAT IS DETRIMENTAL
TO OUR INTERESTS IS STRICTLY
PROHIBITED.

AIRIA 511 McCormick Blvd.
London, Ontario, Canada, N5W 4C8

**SHOP DRAWING
MODEL ME 800XC**

DRAWN BY VHK	DATE 20.JAN.12	SCALE 1/8"	DO NOT SCALE DRAWING	INTERVAL N/A
CHECKED SVC	APP'D			
NEXT ASSY				11093