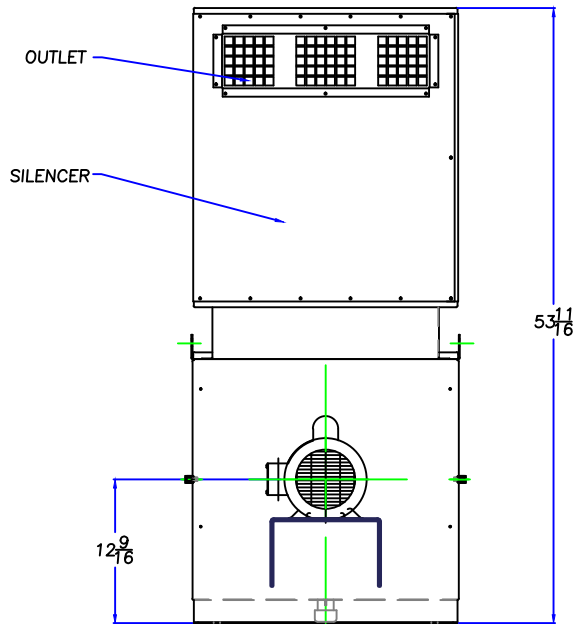
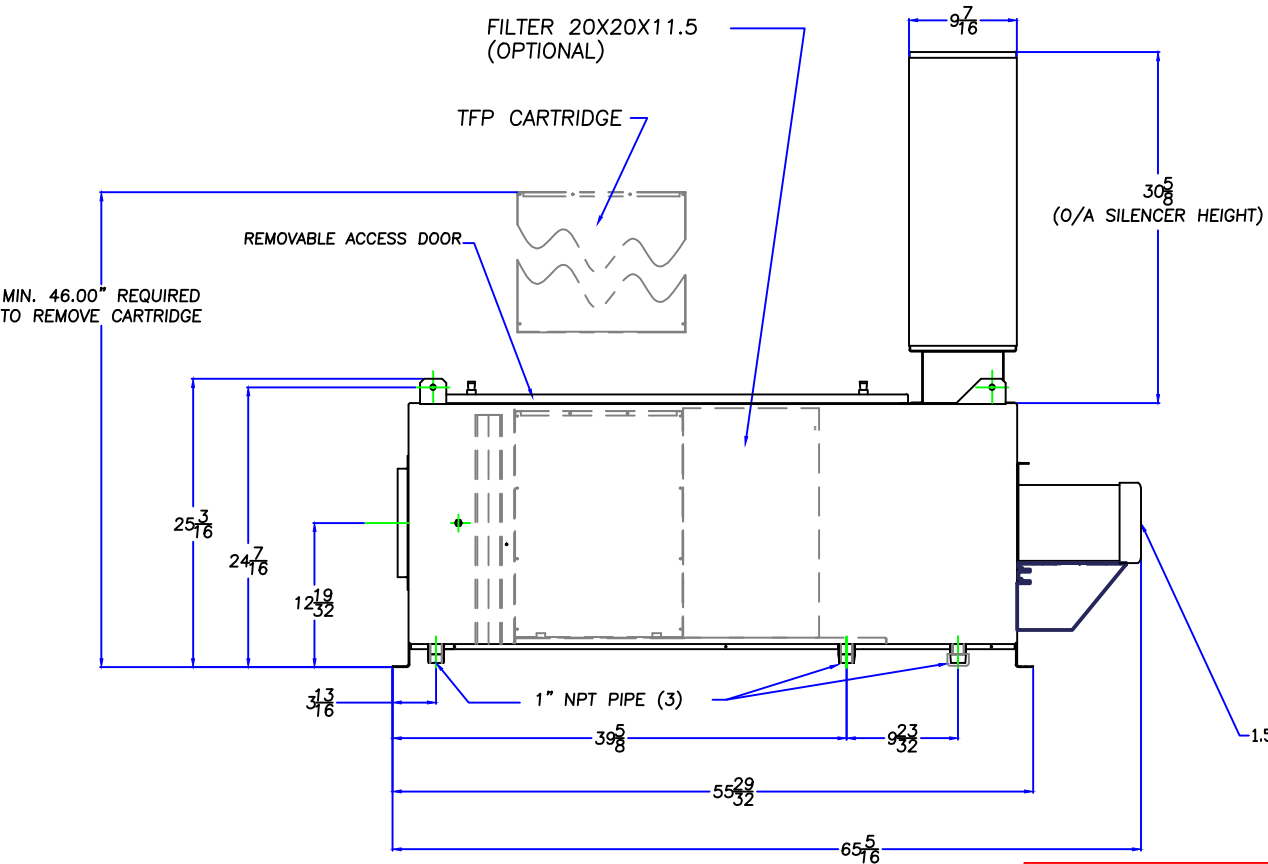


FILTER 20X20X11.5 (OPTIONAL)

TFP CARTRIDGE

REMOVABLE ACCESS DOOR

MIN. 46.00" REQUIRED TO REMOVE CARTRIDGE



APPROX. WT. = 281#

REVISIONS				
REV.	CHANGES	REV. BY	DATE	APP'D
[A]	REVISE DIMENSIONS	VK	5MAY03	CS
[B]	MOVE LIFTING LUG TO SIDES	VK	24MAY04	CS
[C]	ADD MOTOR MOUNT	VK	2JAN13	
[*]				
[*]				

TOLERANCES
 UNLESS OTHERWISE SPECIFIED
 DIMENSIONS ARE IN INCHES
 * FRACTIONAL .005 ± .125
 * DECIMAL .001 ± .001
 * ANGLES .001 ± .001

AIRIA 511 McCormick Blvd.
 London, Ontario Canada N5W 4C8

TITLE: **INSTALLATION DRAWING FOR ME800XF C/W SILENCER**

DRAWN BY: JCD DATE: 30MAY02 SCALE: 1/8" DO NOT MATERIAL: N/A
 CHECKED: SWC APP'D: APP'D SCALE: DRAWING: DRAWING NO:
 NEXT ASSY: 10823

THIS PRINT IS THE PROPERTY OF NUTECH ENERGY SYSTEMS. COPYING, TRANSMITTAL TO OTHERS, OR USE IN ANY WAY THAT IS BETRIMENTAL TO OUR INTERESTS IS STRICTLY PROHIBITED.