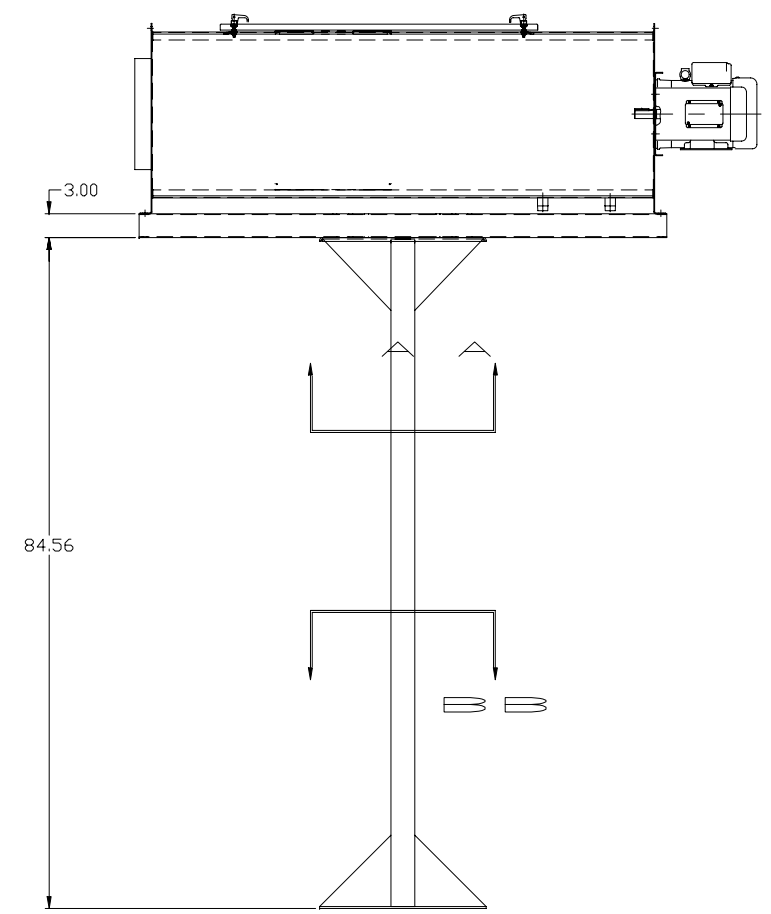
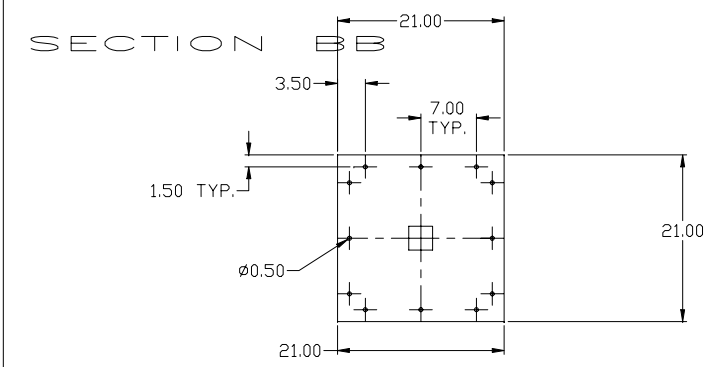
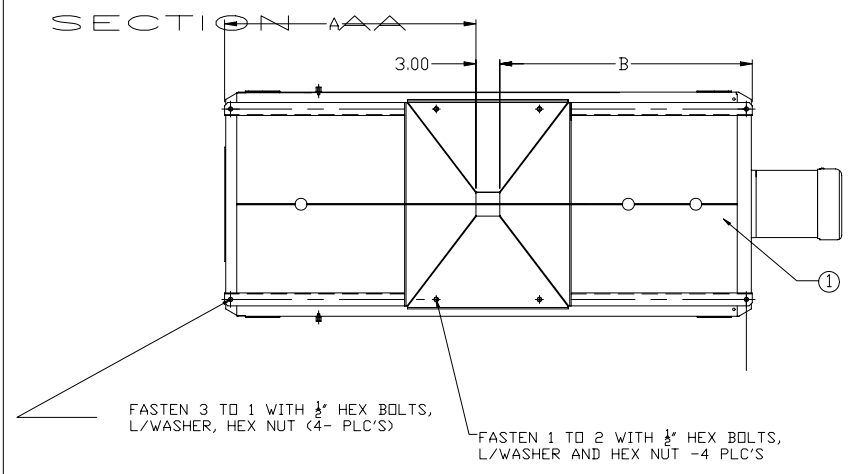


A	B	ITEM 1: MIST COLLECTOR
31.67	31.83	ME2000XF, ME2500XCS, ME2500XF
26.37	26.53	ME800XF AND ME1400XF
25.00	25.21	ME500XF
21.98	22.14	ME2000XC AND ME2500XCS
20.62	20.78	ME800XC AND ME1400XC
18.17	18.33	ME500XC

DESIGN LOADS: MECH UNIT = 365 LBS
 ONE MAN ANYWHERE ON UNIT = 250 LBS
 LATERAL LOAD AT +/- MID HEIGHT OF MECH UNIT = 145 LBS

ASTM A325 BOLTS ARE TO BE USED IN AL CONNECTIONS
 SEE SHOP DWG OF UNIT FOR CLEARANCES AND UNIT DIMENSIONS



REVISIONS				
REV.	CHANGES	REV. BY	DATE	APP'D
✱				
✱				
✱				
✱				
✱				

TOLERANCES
 UNLESS OTHERWISE SPECIFIED
 DIMENSIONS ARE IN INCHES
 • FRACTIONAL ± .0625
 • DECIMAL .XX ± .025
 • .XXX ± .005
 • ANGLES ± .1

THIS PRINT IS THE PROPERTY OF AIRIA BRANDS INC. COPYING TRANSMITTAL TO OTHERS, OR USE IN ANY WAY THAT IS DETRIMENTAL TO OUR INTERESTS IS STRICTLY PROHIBITED.

AIRIA BRANDS INC. 511 McCormick Blvd
 London, ON Canada N5W 4C8

TITLE: **ME SINGLE POST STAND**

DRAWN BY: WK	DATE: 28MAR05	SCALE: 1/16	DO NOT SCALE DRAWING	MATERIAL: NA
CHECKED:	DATE:	APP'D:	DRAWING NO:	11248
NEXT ASSY: XXXXXXXXXXXXXXXX				